



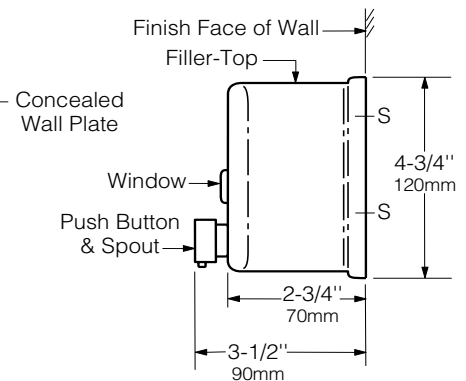
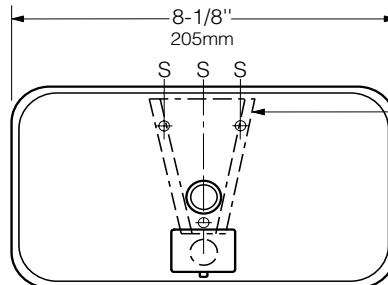
Technical Data

SURFACE-MOUNTED SOAP DISPENSER FOR LIQUID AND LOTION SOAPS AND DETERGENTS

B-2112



Patented



MATERIALS:

Container — 18-8 S, type-304, 22-gauge (0.8mm) stainless steel with satin finish. Body is drawn, one-piece, seamless construction. Back plate has mounting bracket attached. Furnished with concealed wall plate. Equipped with an unbreakable, clear acrylic refill-indicator window and a locked, hinged stainless steel lid for top filling. Capacity: 40 fl oz (1.18 L).

Valve — Black molded plastic push button and spout. Soap head-holding capsule valve. Stainless steel spring. U-packing seal and duckbill.

OPERATION:

Push-in valve dispenses measured amount of liquid and lotions soaps, and synthetic detergents. Valve is operable with one hand, without tight grasping, pinching, or twisting of the wrist, and with less than 5 pounds of force (22.2 N) to comply with barrier-free accessibility guidelines (including ADAAG in U.S.A.). Window indicates when refill is required. The locked, hinged lid opens for top filling only with special key provided. Concealed, vandal-resistant mounting.

Designer's Note: Do not use E4-rated antibacterial soaps (active ingredient PCMX or Triclosan), iodine-based surgical soaps, or alcohol-based antiseptic solutions in this unit; soap valve is not designed to dispense these types of corrosive soaps.

INSTALLATION:

Secure wall plate to the wall with three sheet-metal screws, furnished by manufacturer, at points indicated by an *S*. Slide mounting bracket of container down onto wall plate and secure unit with furnished locking-screw. For plaster or dry wall construction, provide concealed backing to comply with local building codes and secure with sheet-metal screws furnished. For other wall surfaces, provide fiber plugs or expansion shields for use with sheet-metal screws furnished, or provide 1/8" (3mm) toggle bolts or expansion bolts.

Note: Surface-mount the dispenser plumb and true with valve 6" (150mm) to right or left of lavatory center. Provide 4" (100mm) minimum clearance from the lid to the underside of any horizontal projection.

SPECIFICATION:

Surface-mounted soap dispenser shall be type-304 stainless steel with satin finish. Corrosion-resistant valve shall dispense liquid and lotion soaps, and synthetic detergents. Valve shall be operable with one hand and with less than 5 pounds of force (22.2 N) to comply with barrier-free accessibility guidelines (including ADAAG in U.S.A.). Container shall be equipped with an unbreakable, clear acrylic refill-indicator window; a locked, hinged stainless steel lid for top filling; and shall have a capacity of 40 fl oz (1.18 L). Unit shall have concealed, vandal-resistant mounting. Manufacturer's service and parts manual shall be provided to the building owner/manager upon completion of project.

Surface-Mounted Soap Dispenser shall be Model B-2112 of Bobrick Washroom Equipment, Inc., Clifton Park, New York; Jackson, Tennessee; Los Angeles, California; Bobrick Washroom Equipment of Canada Ltd., Scarborough, Ontario; Bobrick Washroom Equipment Pty. Ltd., Australia; and Bobrick Washroom Equipment Limited, United Kingdom.